

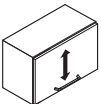
Strato 3685 Complete set, for one-piece flaps made of wood or with aluminium frame



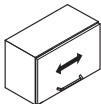
- Material: Fitting: Steel, cover cap: Plastic
- Finish: Fitting: Silver coloured anodized, cover cap: Grey, similar to RAL 9006
- Integrated soft close



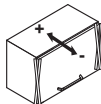
Adjustment facility



Height adjustment ± 3 mm



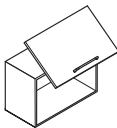
Side adjustment ± 3 mm



Tilt adjustment

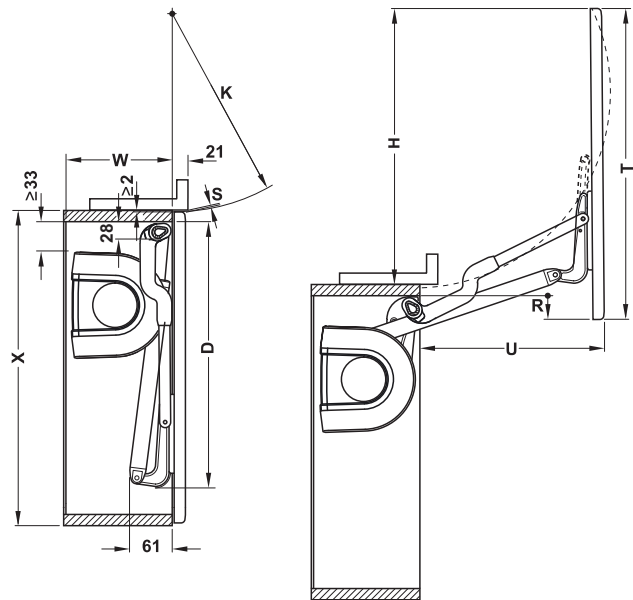
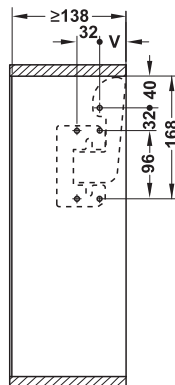
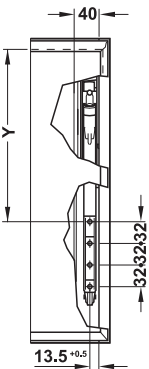


Holding power adjustment



Opening angle adjustment

Installation



Installation dimensions

Flap height mm	X	Y	D ca.	H	K	R ca.	S	T	U ca.	V
342 – 420	342	186	308	295	205	28	0.8	333	200	50
	350	186	308	295	205	38	0.8	346	200	50
	420	186	308	295	205	98	0.8	416	200	50
420 – 500	420	255	380	395	271	5	1.2	414	265	37
	450	255	380	395	271	35	1.2	444	265	37
	500	255	380	395	271	85	1.2	494	265	37
500 – 550	500	293.5	420	450	312.5	30	1.3	494	295	37
	550	293.5	420	450	312.5	80	1.3	544	295	37
550 – 650	550	313.5	440	480	332.5	50	1.3	544	315	37
	600	313.5	440	480	332.5	100	1.3	594	315	37
	600	313.5	440	480	332.5	150	1.3	644	315	37

Supplied with

- 1 Parallel lift up front fitting
- 2 Cover caps
- 2 Screw-on brackets for wood
- 1 Set of installation instructions

Flap height mm	Flap weight kg	Cat. No.
342 – 420	1.5 – 4.0	372.68.931
	4.0 – 7.2	372.68.932
	6.5 – 11.5	372.68.933
420 – 500	2.0 – 3.5	372.68.901
	3.5 – 7.0	372.68.902
	6.5 – 11.0	372.68.903
	8.0 – 16.0	372.68.904
500 – 550	3.8 – 10.0	372.68.913
	6.0 – 15.0	372.68.914
550 – 650	3.5 – 10.0	372.68.923
	6.0 – 14.5	372.68.924

Packing: 1 set

Order reference

Please order screw-on brackets for aluminium profiles and cross bar separately.
Screw-on brackets for wood supplied.

Installation dimensions

Flap height mm	X	Y	D ca.	H	K	R ca.	S	T	U ca.
342 – 420	342	186	308	295	205	28	0.8	333	200
	350	186	308	295	205	38	0.8	346	200
	420	186	308	295	205	98	0.8	416	200
420 – 500	420	255	380	395	271	5	1.2	414	265
	450	255	380	395	271	35	1.2	444	265
	500	255	380	395	271	85	1.2	494	265
500 – 550	500	293.5	420	450	312.5	30	1.3	494	295
	550	293.5	420	450	312.5	80	1.3	544	295
550 – 650	550	313.5	440	480	332.5	50	1.3	544	315
	600	313.5	440	480	332.5	100	1.3	594	315
	600	313.5	440	480	332.5	150	1.3	644	315

Supplied with

- 1 Push-button sender with battery
- 1 Connecting cable (length 2,000 mm) with angled Euro plug/male adapter
- 1 Control unit with female adapter
- 1 Allen key 4 mm
- 2 Fittings with cover caps
- 2 Base plates
- 2 Screw-on brackets for wooden doors and wide aluminium frames
- 2 Connecting plates left/right
- 2 Adjusting parts
- 2 Cam follower left/right
- 2 Connecting cables for drives/control unit
- 4 Screws M5 x 16 mm
- 1 Set of installation and operating instructions

Flap height mm	Flap weight kg	Cat. No.
342 – 420	1.5 – 4.0	372.68.941
342 – 420	3.5 – 7.0	372.68.942
342 – 420	6.0 – 10.5	372.68.943
420 – 500	2.0 – 3.5	372.68.951
420 – 500	3.0 – 7.0	372.68.952
420 – 500	6.0 – 10.5	372.68.953
420 – 500	8.0 – 14.0	372.68.954
500 – 550	3.8 – 9.0	372.68.961
500 – 550	7.0 – 12.0	372.68.962
550 – 650	4.5 – 10.0	372.68.971
550 – 650	6.0 – 11.0	372.68.972

Packing: 1 set

Order reference

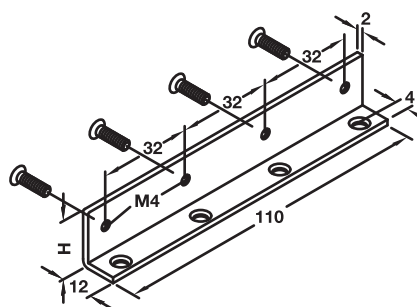
Please order mounting brackets for 20 mm wide aluminium frames and cross bar separately.

Screw-on brackets for wood supplied.

→ Strato 3685 and E-Strato 3688 accessories
Mounting brackets for flaps with aluminium frame, frame width 20 mm



Installation



- Area of application: For mounting the parallel lift up front fitting to flaps with aluminium, frame width 20 mm
- Material: Steel
- Finish: Nickel plated

Suitable for	Height H mm	Cat. No.
Side panel thickness 16 mm	16	372.67.795
Side panel thickness 19 mm	19	372.67.796

Packing: 2 pieces

Cross bar



- Area of application: For connecting both fitting components
- Material: Aluminium
- Finish: Silver coloured anodized

Suitable for	Side panel thickness W mm	Length mm	Cat. No.
Flap width 600 mm	16/19	477	372.67.983
Flap width 900 mm	16/19	777	372.67.985
Flap width 1200 mm	16/19	1077	372.67.987
Flap width 1500 mm	16/19	1377	372.67.989
Flap width 1800 mm	16/19	1677	372.67.990

Packing: 1 piece