

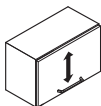
### Verso 3684 Complete set, for one-piece flaps made of wood or with aluminium frame



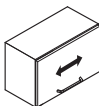
- Material: Fitting: Steel, cover cap: Plastic
- Finish: Fitting: Silver coloured anodized, cover cap: Grey, similar to RAL 9006



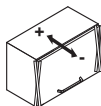
#### Adjustment facility



Height adjustment  
±3 mm



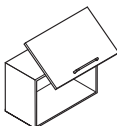
Side adjustment  
±3 mm



Tilt adjustment

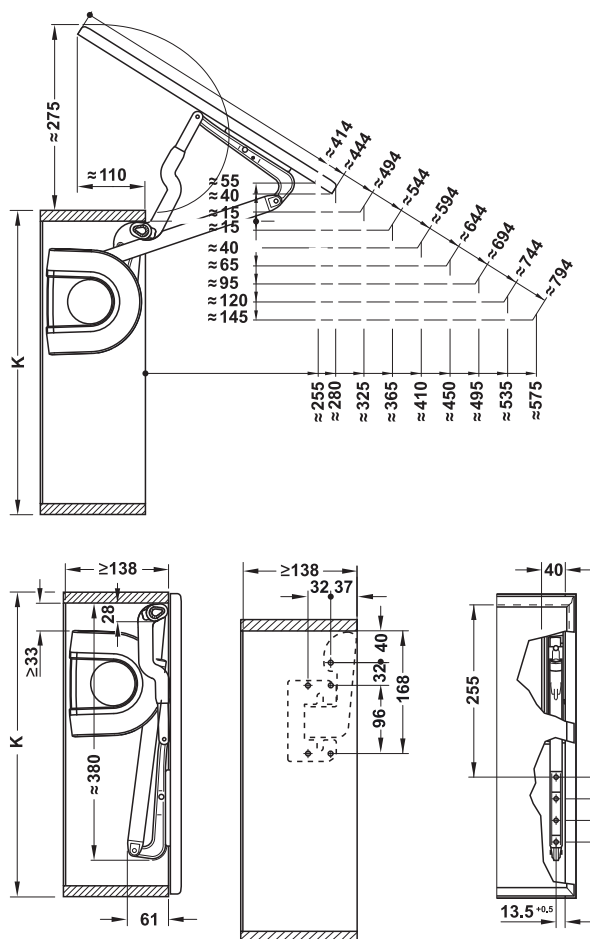


Holding power adjustment



Opening angle adjustment

#### Installation



Model	A	B	C	D
Flap height mm	Flap weight kg			
420 – 550	2.0 – 4.0	4.0 – 8.0	6.0 – 10.0	8.0 – 17.0
550 – 650	2.0 – 3.5	3.5 – 7.0	6.0 – 10.0	9.0 – 16.0
650 – 800	–	3.0 – 6.5	5.0 – 10.0	9.0 – 15.0

#### Supplied with

- 1 Swing up front fitting
- 2 Cover caps
- 2 Screw-on brackets
- 1 Set of installation instructions

Model	Cat. No.
A	372.67.901
B	372.67.902
C	372.67.903
D	372.67.904

Packing: 1 set

#### Order reference

Please order mounting brackets for aluminium profile and cross bar separately.

Screw-on brackets for wood supplied.

### Supplied with

- 1 Push-button sender with battery
- 1 Connecting cable (length 2000 mm) with angled Euro plug/male adapter
- 1 Control unit with female adapter
- 1 Allen key 4 mm
- 2 Fittings with cover caps
- 2 Base plates
- 2 Screw-on brackets for wooden doors and wide aluminium frames
- 2 Connecting plates left/right
- 2 Adjusting parts
- 2 Cam follower left/right
- 2 Connecting cables for drives/control unit
- 4 Screws M5 x 16 mm
- 1 Set of installation and operating instructions



Model	A	B	C	D
Flap height mm	Flap weight kg			
420	2.0 – 5.0	4.0 – 9.0	6.0 – 12.0	10.0 – 18.0
500	2.0 – 4.5	4.0 – 8.0	6.0 – 14.0	8.0 – 16.0
600	2.0 – 4.5	4.0 – 8.0	6.0 – 11.0	8.0 – 15.0
700	–	3.5 – 6.5	6.0 – 10.0	8.5 – 14.0
800	–	3.0 – 5.5	5.0 – 9.5	8.0 – 12.0

Model	Cat. No.
A	372.67.931
B	372.67.932
C	372.67.933
D	372.67.934

Packing: 1 set

### Order reference

Please order mounting brackets for 20 mm wide aluminium frames and cross bar separately.

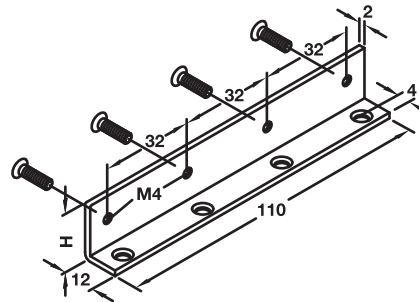
Screw-on brackets for wood supplied.

### → Verso 3674 and E-Verso 3687 accessories

#### Mounting brackets for flaps with aluminium frame, frame width 20 mm



### Installation



- Area of application: For mounting the swing up front fitting to flaps with aluminium frame, frame width 20 mm
- Material: Steel
- Finish: Nickel plated

Suitable for	Height H mm	Cat. No.
Side panel thickness 16 mm	16	372.67.795
Side panel thickness 19 mm	19	372.67.796

Packing: 2 pieces

### Cross bar



- Area of application: For connecting both fitting components
- Material: Aluminium
- Finish: Silver coloured anodized

Suitable for	Side panel thickness W mm	Length mm	Cat. No.
Flap width 600 mm	16/19	477	372.67.983
Flap width 900 mm	16/19	777	372.67.985
Flap width 1200 mm	16/19	1077	372.67.987
Flap width 1500 mm	16/19	1377	372.67.989
Flap width 1800 mm	16/19	1677	372.67.990

Packing: 1 piece